



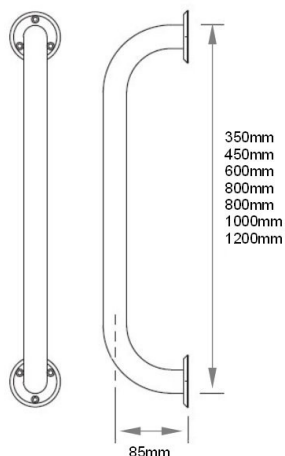
SUPPORT BARS

AISI 304 INOX



SUPPORT BARS

STAINLESS STEEL



SUPPORT BARS

TUBE	CODE	WEIGHT KG	VOLUME M ³	BOX
LENGTH 35 CM		LENGTH		
Ø 30MM	530112015	0,712	0,006	1
Ø 35MM	535112015	0,8	0,006	1
Ø 40MM	500112015	0,95	0,006	1
LENGTH 45 CM				
Ø 30MM	530112002	0,82	0,006	1
Ø 35MM	535112002	0,95	0,006	1
Ø 40MM	500112002	1	0,006	1
LENGTH 60 CM				
Ø 30MM	530112001	1	0,01	1
Ø 35MM	535112001	1,2	0,01	1
Ø 40MM	500112001	1,4	0,01	1
LENGTH 80 CM				
Ø 30MM	530112030	1,2	0,01	1
Ø 35MM	535112030	1,4	0,01	1
Ø 40MM	500112030	1,6	0,01	1
LENGTH 100 CM				
Ø 30MM	530112033	1,63	0,012	1
Ø 35MM	535112033	1,9	0,012	1
Ø 40MM	500112033	2,1	0,012	1
LENGTH 120 CM				
Ø 30MM	530112034	1,8	0,012	1
Ø 35MM	535112034	2,1	0,012	1
Ø 40MM	500112034	2,4	0,012	1

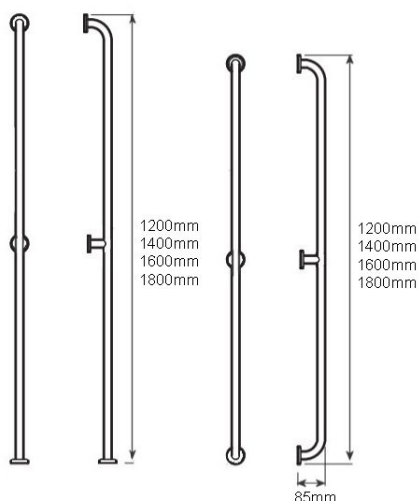
SUPPORT BARS

STAINLESS STEEL



AISI
304

VERTICAL HANDLE BAR (WALL OR WALL TO FLOOR)



TUBE	CODE	WEIGHT KG	VOLUME M ³	BOX
120 CM WALL				
Ø 30MM	530112091	1,928	0,012	1
Ø 35MM	535112091	2,225	0,012	1
Ø 40MM	500112091	2,571	0,012	1
120 CM WALL/FLOOR				
Ø 30MM	530112090	1,928	0,012	1
Ø 35MM	535112090	2,225	0,012	1
Ø 40MM	500112090	2,571	0,012	1
140 CM WALL				
Ø 30MM	530112084	2,248	0,017	1
Ø 35MM	535112084	2,265	0,017	1
Ø 40MM	500112084	2,998	0,017	1
140 CM WALL/FLOOR				
Ø 30MM	530112085	2,248	0,017	1
Ø 35MM	535112085	2,265	0,017	1
Ø 40MM	500112085	2,998	0,017	1
160 CM WALL				
Ø 30MM	530112086	2,57	0,019	1
Ø 35MM	535112086	3	0,019	1
Ø 40MM	500112086	3,427	0,019	1
160 CM WALL/FLOOR				
Ø 30MM	530112087	2,57	0,019	1
Ø 35MM	535112087	3	0,019	1
Ø 40MM	500112087	3,427	0,019	1
180 CM WALL				
Ø 30MM	530112089	2,892	0,021	1
Ø 35MM	535112089	3,375	0,021	1
Ø 40MM	500112089	3,856	0,021	1
180 CM WALL/FLOOR				
Ø 30MM	530112088	2,892	0,021	1
Ø 35MM	535112088	3,375	0,021	1
Ø 40MM	500112088	3,856	0,021	1

SUPPORT BARS

STAINLESS STEEL

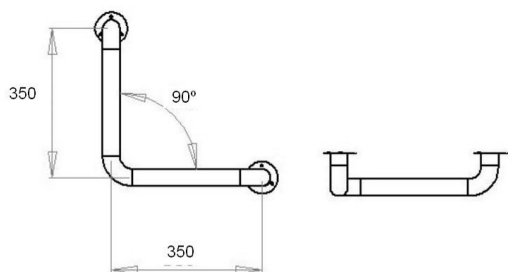


AISI 304



WALL HANDLEBAR 90° RIGHT / LEFT 35X35

TUBE	CODE	WEIGHT KG	VOLUME M³	BOX
Ø 30MM	530112003	1,33	0,033	1
Ø 35MM	535112003	1,6	0,033	1
Ø 40MM	500112003	1,8	0,033	1

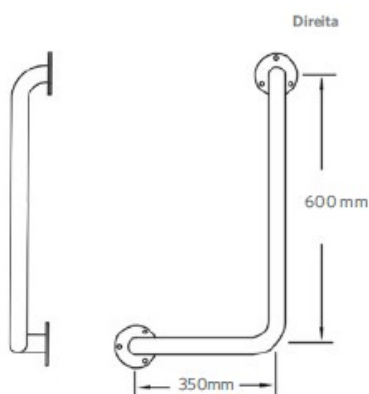


AISI 304



WALL HANDLEBAR 90° RIGHT / LEFT 60X35

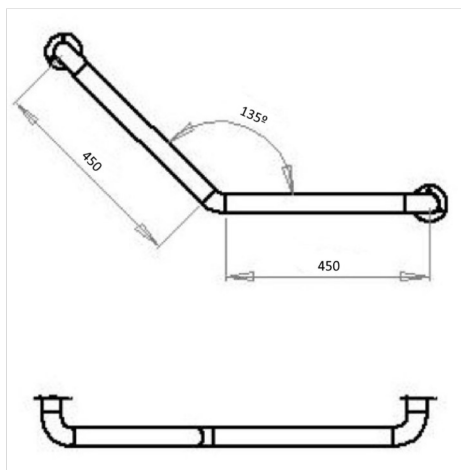
TUBE	CODE	WEIGHT KG	VOLUME M³	BOX
RIGHT				
Ø 30MM	530112004	1,5	0,033	1
Ø 35MM	535112004	1,8	0,033	1
Ø 40MM	500112004	2	0,033	1
LEFT				
Ø 30MM	530112005	1,5	0,033	1
Ø 35MM	535112005	1,8	0,033	1



SUPPORT BARS

STAINLESS STEEL

AISI 304



WALL SUPPORT HANDLEBAR 135° 45X45

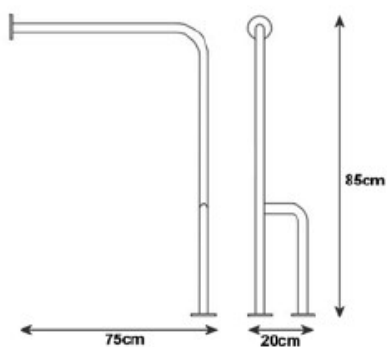
TUBE	CODE	WEIGHT KG	VOLUME M³	BOX
Ø 30MM	530112006	1,6	0,036	1
Ø 35MM	535112006	1,9	0,036	1
Ø 40MM	500112006	2,1	0,036	1

AISI 304



FIXED FLOOR HANDLE 75X85X20

TUBE	CODE	WEIGHT KG	VOLUME M³	BOX
RIGHT				
Ø 30MM	530112009	3,4	0,222	1
Ø 35MM	535112009	4	0,222	1
Ø 40MM	500112009	4,5	0,222	1
LEFT				
Ø 30MM	530112010	3,4	0,222	1
Ø 35MM	535112010	4	0,222	1
Ø 40MM	500112010	4,5	0,222	1

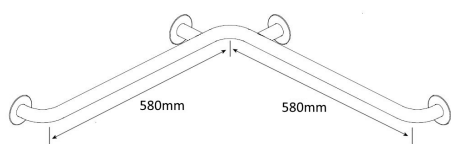
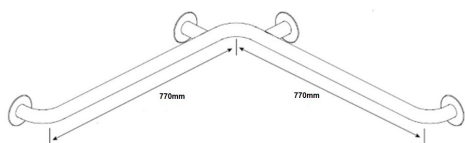


SUPPORT BARS

STAINLESS STEEL



AISI 304



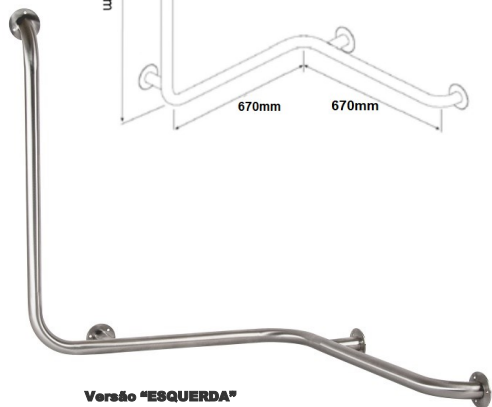
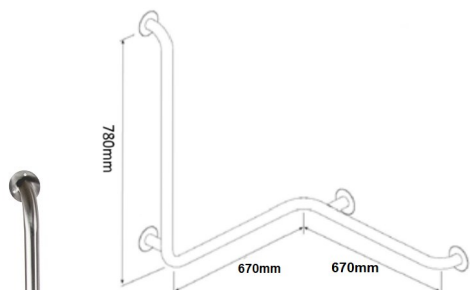
WALL HANDLE HORIZONTAL 77X77

TUBE	CODE	WEIGHT KG	VOLUME M ³	BOX
Ø 30MM	530112054	2	0,02	1
Ø 35MM	535112054	2,5	0,02	1
Ø 40MM	500112054	2,8	0,02	1

WALL HANDLE HORIZONTAL 58x58

TUBE	CODE	WEIGHT KG	VOLUME M ³	BOX
Ø 30MM	530112057	1,7	0,02	1
Ø 35MM	535112057	2,1	0,02	1
Ø 40MM	500112057	2,5	0,02	1

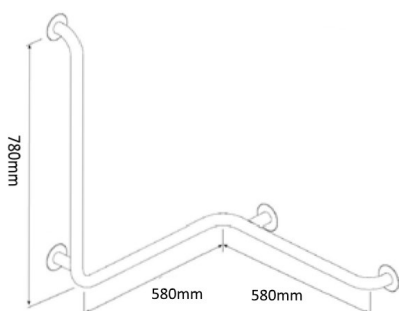
AISI 304



Versão "ESQUERDA"
Left / Gauche

WALL HANDLE HORIZONTAL / VERTICAL 67x67x78

TUBE	CODE	WEIGHT KG	VOLUME M ³	BOX
RIGHT				
Ø 30MM	530112055	3,6	0,025	1
Ø 35MM	535112055	4,2	0,025	1
Ø 40MM	500112055	4,8	0,025	1
LEFT				
Ø 30MM	530112056	3,6	0,025	1
Ø 35MM	535112056	4,2	0,025	1
Ø 40MM	500112056	4,8	0,025	1



WALL HANDLE HORIZONTAL / VERTICAL 58x58x78

TUBE	CODE	WEIGHT KG	VOLUME M ³	BOX
RIGHT				
Ø 30MM	530112058	3,4	0,025	1
Ø 35MM	535112058	4	0,025	1
Ø 40MM	500112058	4,6	0,025	1
LEFT				
Ø 30MM	530112060	3,4	0,025	1
Ø 35MM	535112060	4	0,025	1
Ø 40MM	500112060	4,6	0,025	1

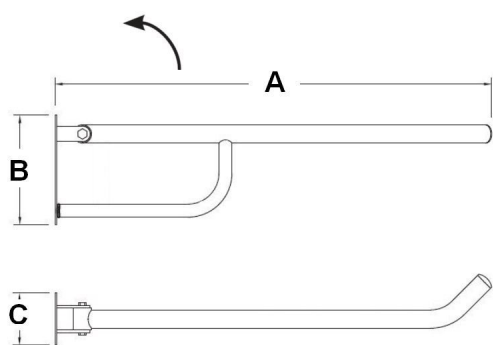
SUPPORT BARS

STAINLESS STEEL

AISI
304



Versão "ESQUERDA"
Left / Gauche



	5..112018 / 019 5..112020 / 021	5..112039 / 040 5..112041 / 042
A	600 mm	800 mm
B	310 mm	310 mm
C	100 mm	100 mm

(1) DIREITA (2) ESQUERDA"
(1) Right / Droite (2) Left / Gauche

FOLDING SUPPORT HANDLE WITH OR WITHOUT PAPER HOLDER HOLDER RIGHT / LEFT 60X20

TUBE	CODE	WEIGHT KG	VOLUME M ³	BOX
60X20 WITH PAPER HOLDER				
Ø 30MM (RIGHT)	530112020	2,3	0,033	1
Ø 30MM (LEFT)	530112021	2,3	0,033	1
Ø 35MM (RIGHT)	535112020	2,65	0,033	1
Ø 35MM (LEFT)	535112021	2,65	0,033	1
Ø 40MM (RIGHT)	500112020	3	0,033	1
Ø 40MM (LEFT)	500112021	3	0,033	1
60X20 WHITHOUT PAPER HOLDER				
Ø 30MM (RIGHT)	530112018	2,2	0,033	1
Ø 30MM (LEFT)	530112019	2,2	0,033	1
Ø 35MM (RIGHT)	535112018	2,6	0,033	1
Ø 35MM (LEFT)	535112019	2,6	0,033	1
Ø 40MM (RIGHT)	500112018	3	0,033	1
Ø 40MM (LEFT)	500112019	3	0,033	1
80X20 WITH PAPER HOLDER				
Ø 30MM (RIGHT))	530112041	2,672	0,036	1
Ø 30MM (LEFT)	530112042	2,672	0,036	1
Ø 35MM (RIGHT)	535112041	3,1	0,036	1
Ø 35MM (LEFT)	535112042	3,1	0,036	1
Ø 40MM (RIGHT)	500112041	3,52	0,036	1
Ø 40MM (LEFT)	500112042	3,52	0,036	1
80X20 WHITHOUT PAPER HOLDER				
Ø 30MM (RIGHT)	530112039	2,572	0,036	1
Ø 30MM (LEFT)	530112040	2,572	0,036	1
Ø 35MM (RIGHT)	535112039	3	0,036	1
Ø 35MM (LEFT)	535112040	3	0,036	1
Ø 40MM (RIGHT)	500112039	3,42	0,036	1
Ø 40MM (LEFT)	500112040	3,42	0,036	1

SUPPORT BARS

STAINLESS STEEL

AISI
304



WALL HANDLE WASHBASIN AND TOILET RIGHT / LEFT



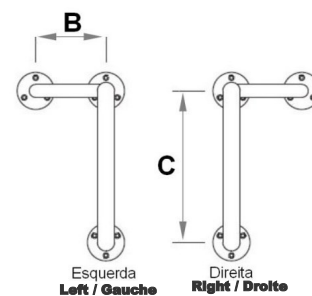
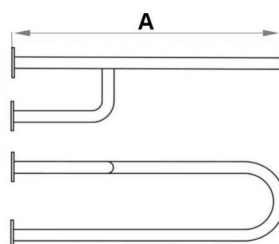
(2) ESQUERDA*
(2) Left / Gauche

(1) DIREITA
(1) Right / Droite



TUBE	CODE	WEIGHT KG	VOLUME	BOX
80X21X17				
Ø 30MM (1)	530112007	3,3	0,09	1
(2)	530112008	3,3	0,09	1
Ø 35MM (1)	535112007	3,9	0,09	1
(2)	535112008	3,9	0,09	1
Ø 40MM (1)	500112007	4,4	0,09	1
(2)	500112008	4,4	0,09	1
60X21X17				
Ø 30MM (1)	530112027	2,785	0,06	1
(2)	530112028	2,785	0,06	1
Ø 35MM (1)	535112027	3,25	0,06	1
(2)	535112028	3,25	0,06	1
Ø 40MM (1)	500112027	3,714	0,06	1
(2)	500112028	3,714	0,06	1
44X16X12				
Ø 30MM (1)	530112013	2,06	0,04	1
(2)	530112014	2,06	0,04	1
Ø 35MM (1)	535112013	2,4	0,04	1
(2)	535112014	2,4	0,04	1
Ø 40MM (1)	500112013	2,7	0,04	1
(2)	500112014	2,7	0,04	1

	5..112007 / 008	5..112027 / 028	5..112013 / 014
A	800 mm	600 mm	440 mm
B	170 mm	170 mm	120 mm
C	210 mm	210 mm	160 mm



SUPPORT BARS

STAINLESS STEEL



AISI
304

FOLDING SUPPORT BAR WITH OR WITHOUT PAPER HOLDER - 83X22 OR 60X22

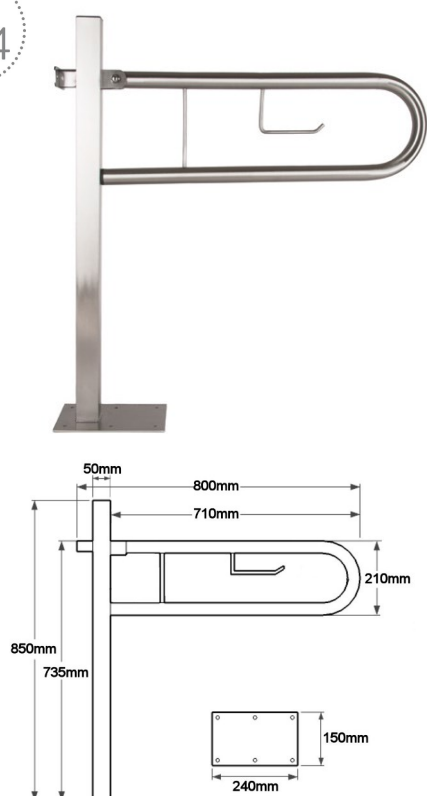
TUBE	CODE	WEIGHT KG	VOLUME M³	BOX
83X22 - WITH PAPER HOLDER				
Ø 30MM	530112011	3	0,036	1
Ø 35MM	535112011	3,6	0,036	1
Ø 40MM	500112011	4	0,036	1
83X22 - WHITHOUT PAPER HOLDER				
Ø 30MM	530112012	3	0,036	1
Ø 35MM	535112012	3,6	0,036	1
Ø 40MM	500112012	4	0,036	1
60X22 - WITH PAPER HOLDER				
Ø 30MM	530112016	3	0,033	1
Ø 35MM	535112016	3	0,033	1
Ø 40MM	500112016	3,5	0,036	1
60X22 - WHITHOUT PAPER HOLDER				
Ø 30MM	530112017	2,5	0,033	1
Ø 35MM	535112017	3	0,033	1
Ø 40MM	500112017	3,5	0,033	1



AISI
304

FOLDING HANDLE WITH FLOOR SUPPORT WITH PAPER HOLDER - 85X80

TUBE	CODE	WEIGHT KG	VOLUME M³	BOX
Ø 35MM	535112079	6,65	0,222	1



SUPPORT BARS

STAINLESS STEEL

AISI
304



STAINLESS STEEL FOLDING HANDLE

TUBE	CODE	WEIGHT KG	VOLUME M ³	BOX
Ø 30MM	530112052	2,785	0,025	1
Ø 35MM	535112052	3,25	0,025	1
Ø 40MM	500112052	3,714	0,025	1

